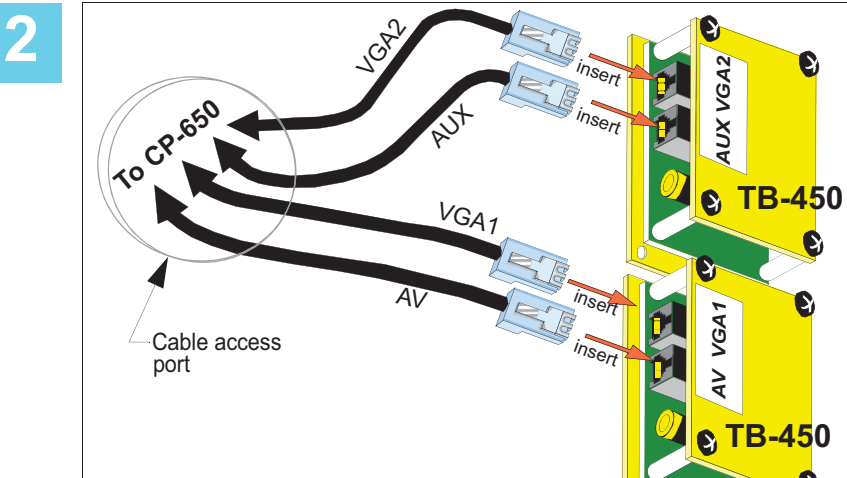


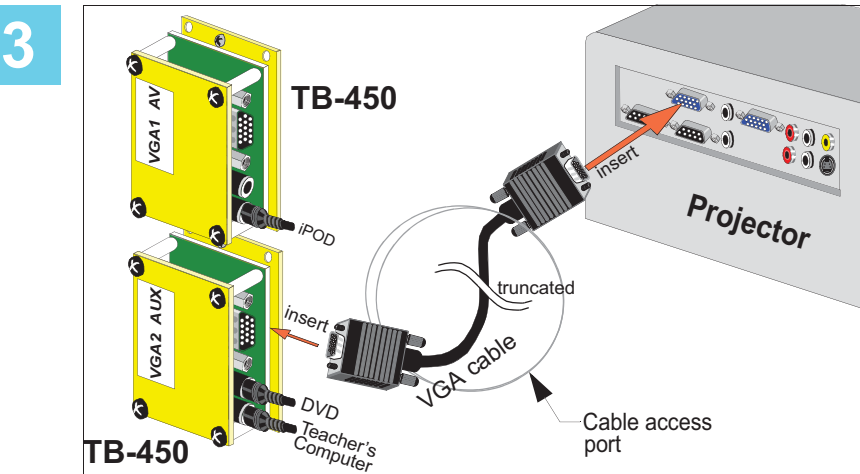
Quick Guide ezRoom 5300

Making Connections

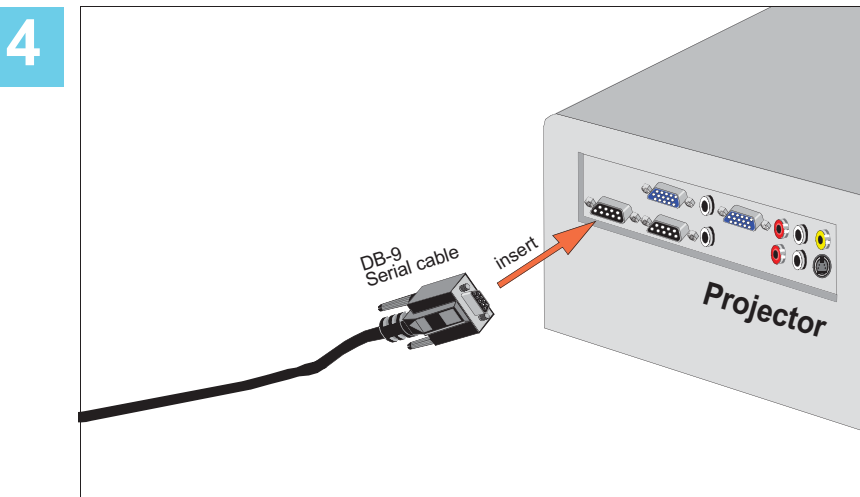
1  Refer to projector mounting instructions and assure proper installation before starting ezRoom installation.



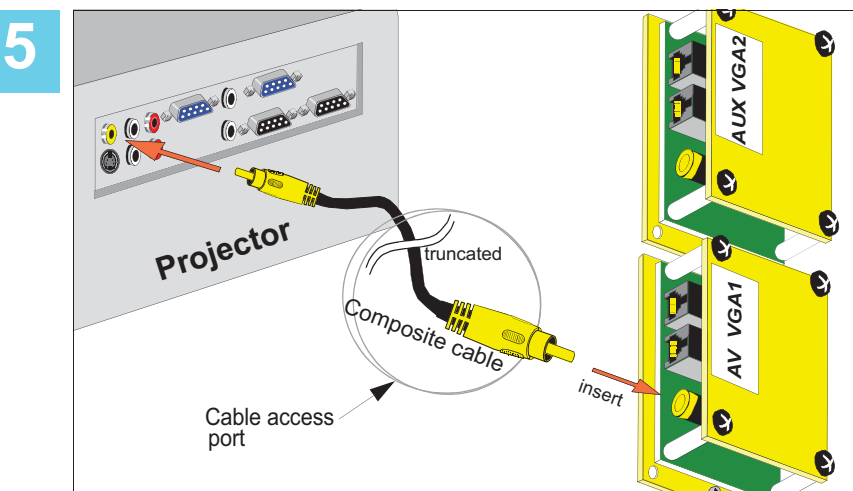
Connect the four CAT-5 cables from CP-650 wall plate (see step #10) to the TB-450 blocks. Assure AUX, VGA1, VGA2, and AV correspond to ports on CP-650 wall plate.



Connect the VGA cable to VGA1 on TB-450 block. Then connect other end to the projector. Use cable access port to run all cables.

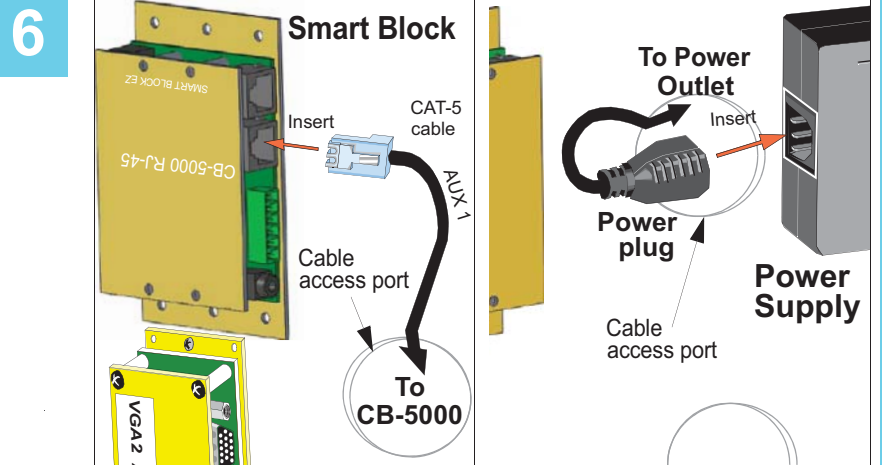


Connect the 9-pin serial connector from the ezRoom enclosure to serial port on the projector.

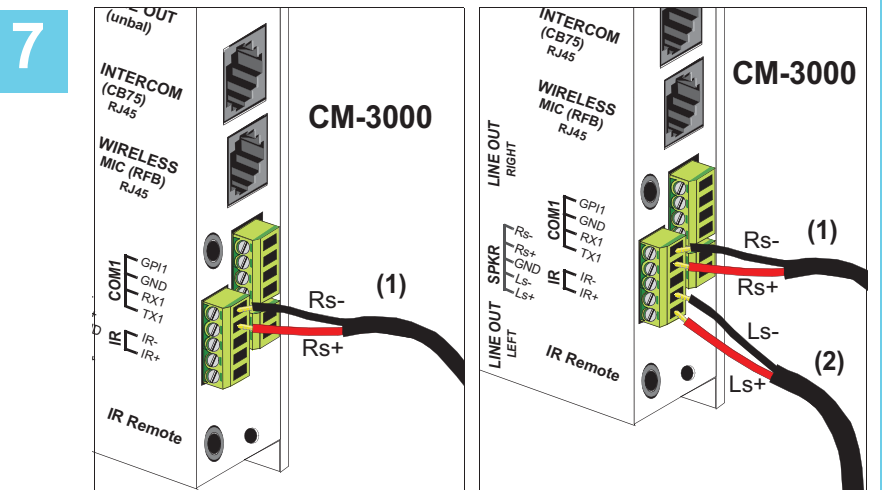


Connect yellow composite cable to TB-450 (next to label marked "AV") and then connect other end to the yellow port on the back of the projector. Use cable access port to run all cables.

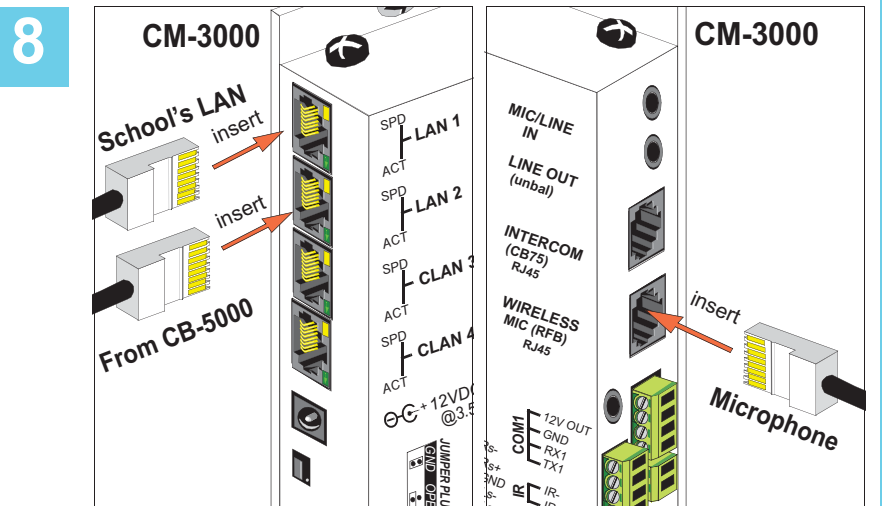
Making Connections



Connect the CAT-5 cable from CB-5000 (AUX 1 port) to the port labeled CB-5000. Then connect the power supply cable to the power port on the Smartblock as shown above.

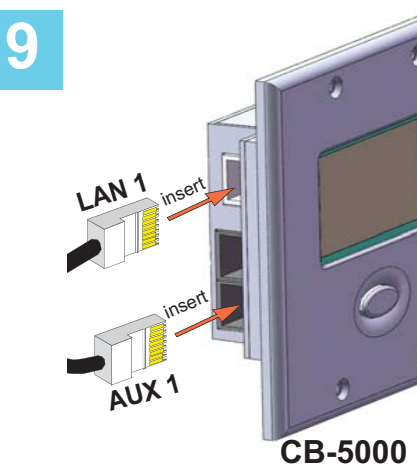


Terminate right (1) and left (2) speaker wires to the positions on the 5-pin Phoenix connector as illustrated in photo above.



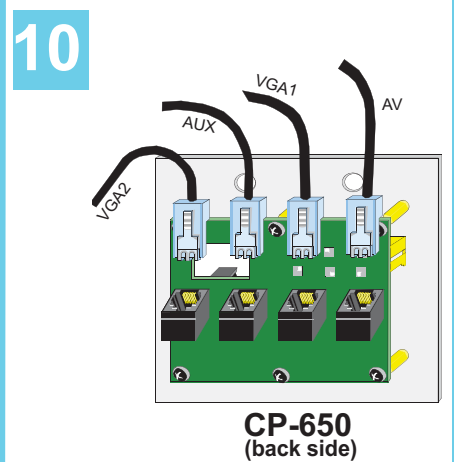
Connect the school's LAN into "LAN 1" port and CB-5000 CAT-5 into "LAN 2" port (see step #9). Then connect the microphone CAT-5 cable into the "WIRELESS MIC" port.

CB-5000 Connections



Connect CAT-5 cables to AUX 1 and LAN 1 port on CB-5000 (LAN cable not included).

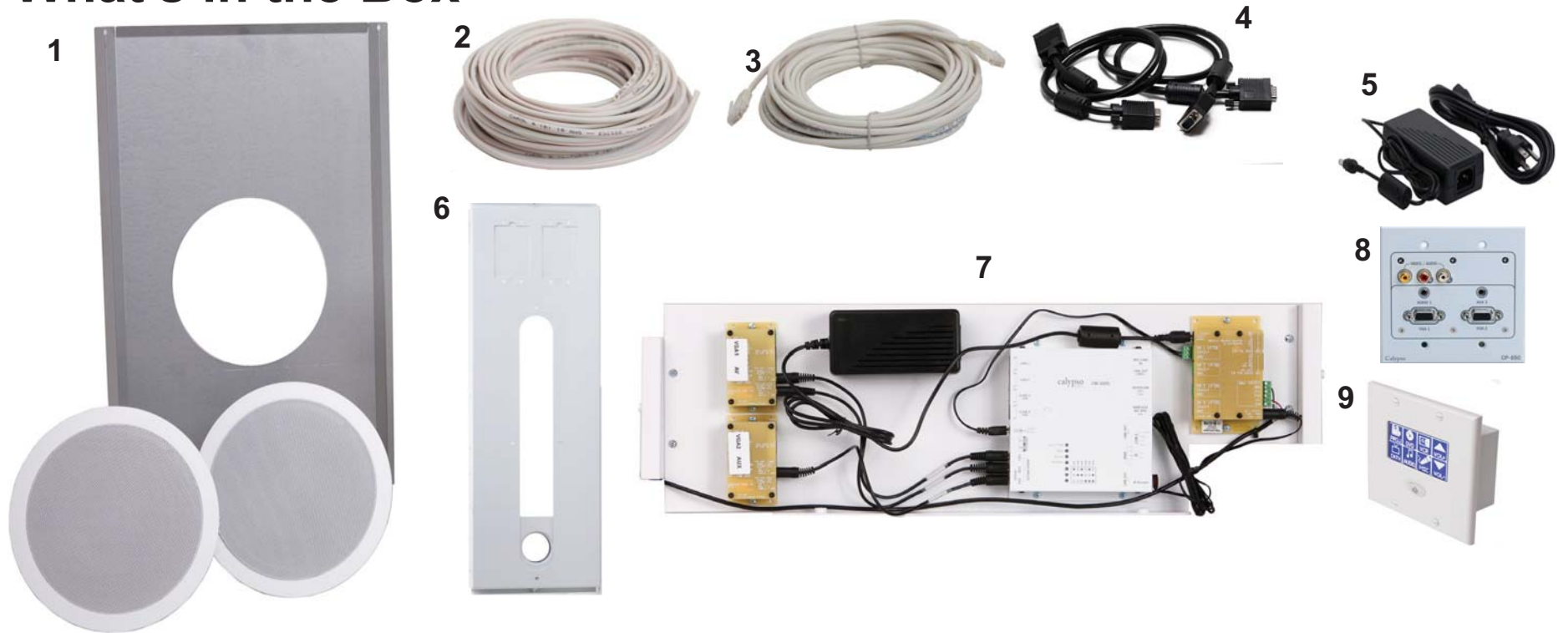
CP-650 Connections



Connect the dedicated CAT-5 cables to the ports as depicted in the photo above.

Quick Guide ezRoom 5300

What's in the Box



The list of components in the box contains the following items from top left to right: (1) 2 speakers and covers, (2) 1 50 ft. speaker wire, (3) 1 40 ft. CAT-5 cable, (4) 2 VGA cables, (5) 1 power supply and cord, (6) 1 ceiling mounting plate, (7) 1 A/V projector mount, (8) 1 CP-650, and (9) 1 CB-5000.

Wiring Diagram

