



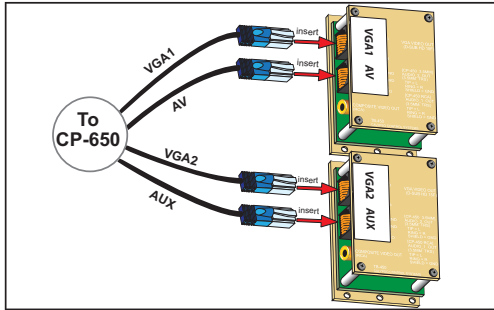
WARNING: DO NOT connect I/O cable into LAN port. May result in **DAMAGE** to CB-2000.



NOTE: It is the responsibility of the service technician to understand ethernet protocol for setting up Calypso products and to correctly secure cables of proper length.

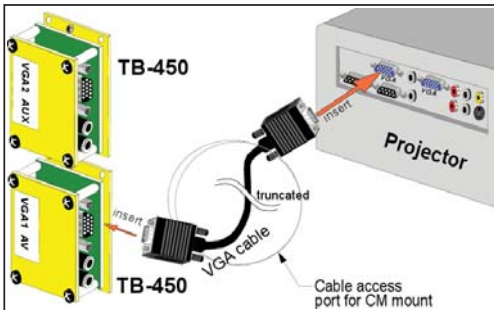
Making Connections

1



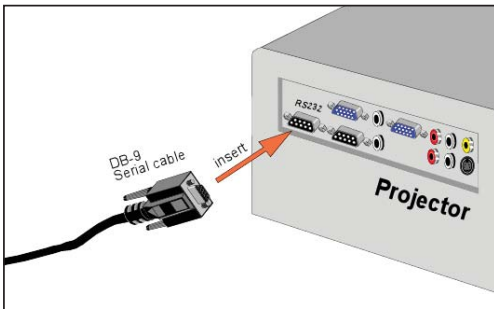
Connect the four CAT-5e cables from CP-650 wall plate (see step #9) to the TB-450 blocks. Assure AUX, VGA1, VGA2, and AV correspond to ports on the CP-650 wall plate.

2



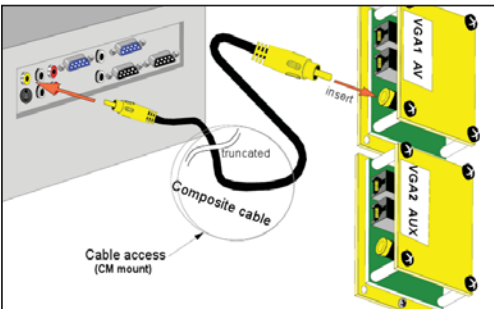
Connect the VGA cable to VGA1 on TB-450 block. Then connect other end to the projector. Use cable access port to run all cables.

3



Connect the 9-pin serial connector from the ezRoom enclosure to the serial port on the projector.

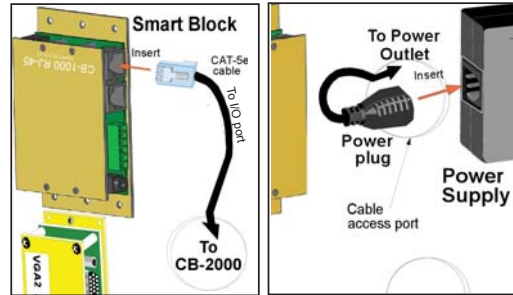
4



Connect yellow composite cable to TB-450 (next to label marked "AV") and then connect other end to the yellow port on the back of the projector. Use cable access port to run all cables.

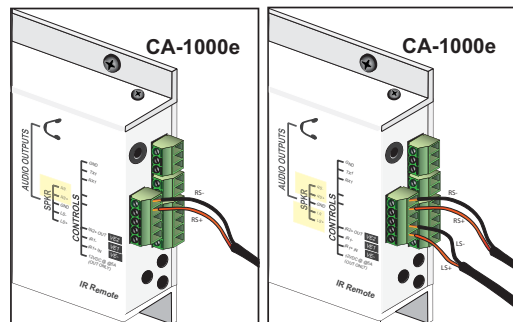
Making Connections

5



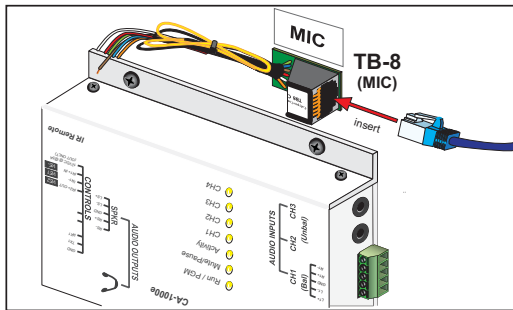
Connect the CAT-5e cable from CB-2000 (I/O port) to the port labeled "CB-1000". Then connect the power supply cable to the power port as shown above.

6



Terminate the right (1) and left (2) speaker wires to the positions on the 5-pin Phoenix connector as illustrated in photo above.

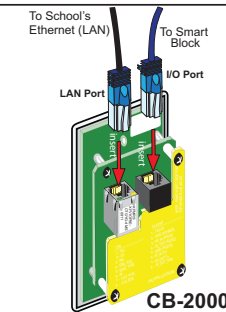
7



Connect the microphone CAT-5e cable to the MIC port.

CB-2000 Connections

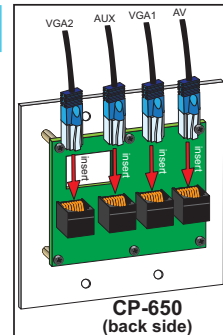
8



Connect respective CAT-5e cables to LAN and I/O ports on CB-2000. **Assure cables are connected to the correct port!** Damage may result to the device. (LAN cable not included).

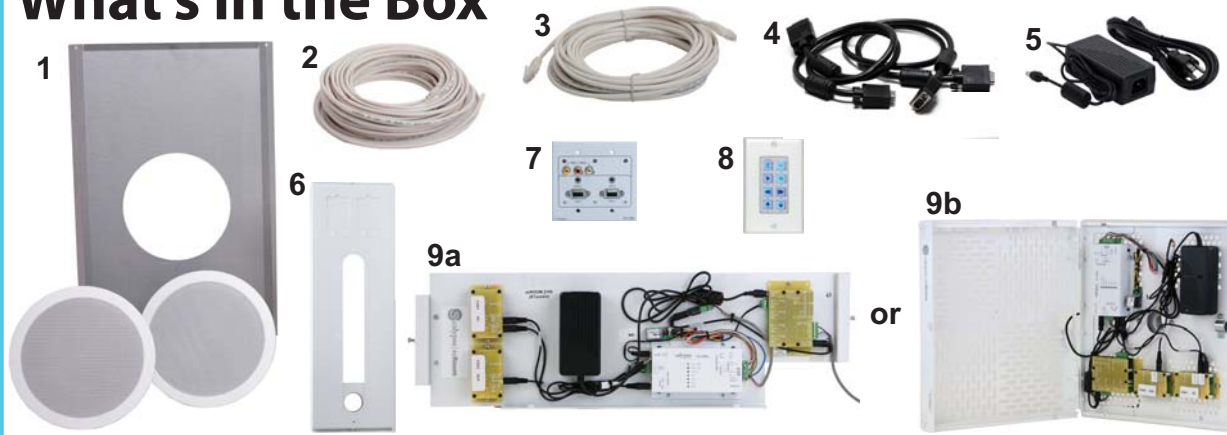
CP-650 Connections

9



Connect the dedicated CAT-5e cables to the ports as depicted in the photo above (see Sample Wiring Diagram).

What's in the Box



The list of components in the box has the following items from top left to right: (1) 2 speakers and covers, (2) 1 50 ft. speaker wire, (3) 5 40 ft. CAT-5e cable, (4) 2 VGA cables, (5) 1 power supply and cord, (6) 1 ceiling mounting plate, (7) 1 CP-650, and (8) 1 CB-2000, (9a) 1 AV, ST mount, **or** (9b) 1 CM mount.

Sample Wiring Diagram

