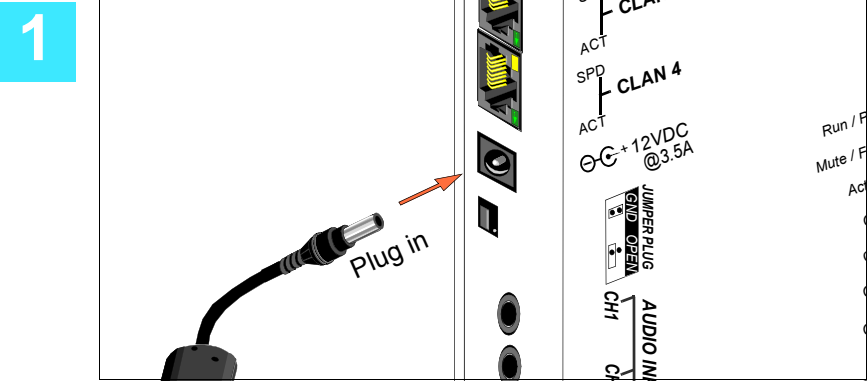
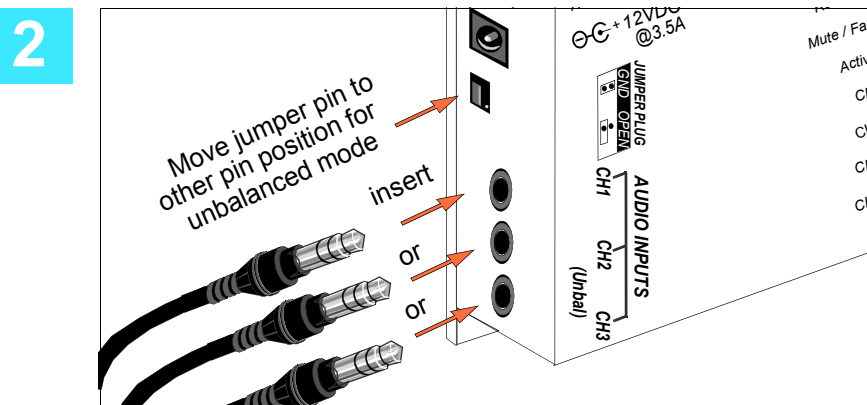


## Making Connections

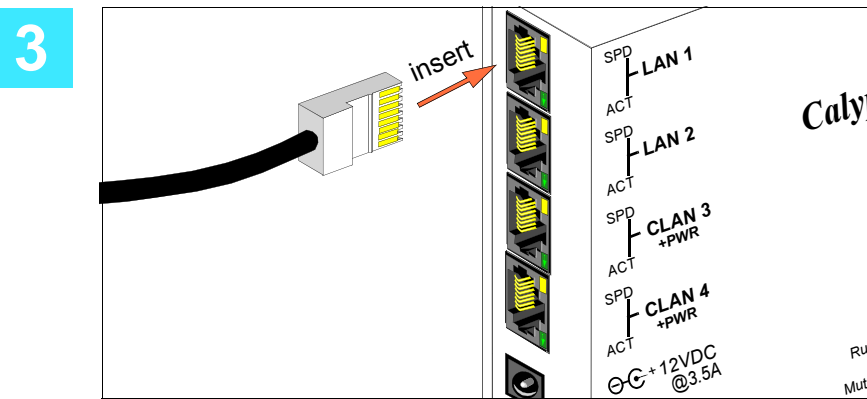
**IMPORTANT:** This device has a static IP address: **192.168.1.103**. See installation instructions on the back.



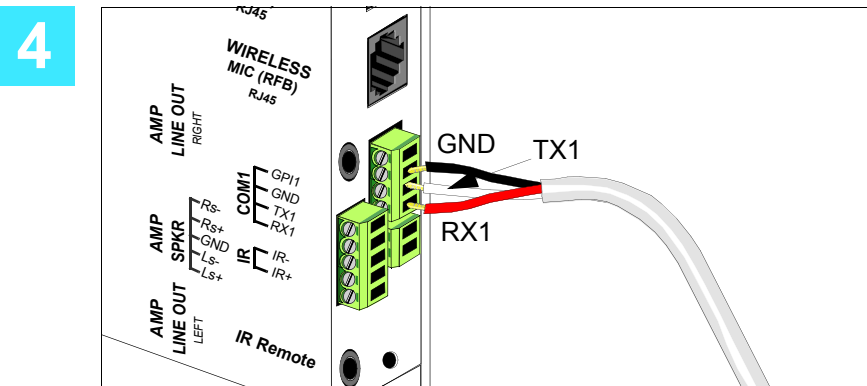
Plug-in the power supply jack into the 12VDC (3.5A) power socket of the CM-3000.



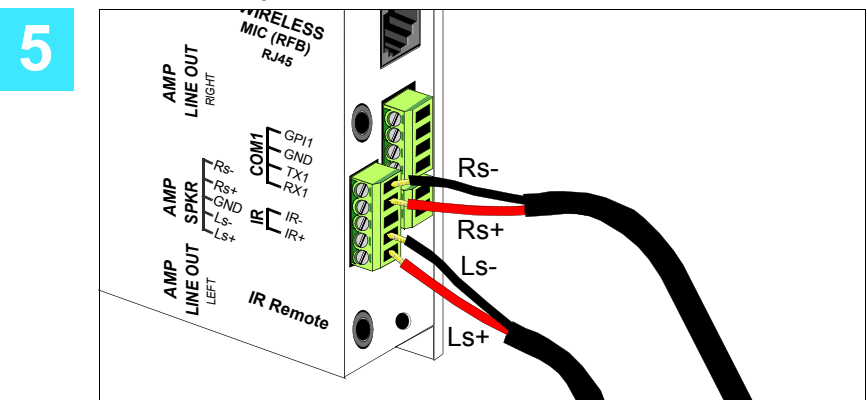
Connect CH1 mini-audio jack to the CH1 port as depicted above. Any combination of CH1, CH2, and/or CH3 can be utilized. Default jumper pin position for CH1 is for balance mode.



Connect the network cable to the RJ-45 port on the CM-3000 as illustrated above (LAN and network cable not included). LAN 2 can be used for additional Local Area Network. CLAN 3 and CLAN 4 are reserved for Calypso use.

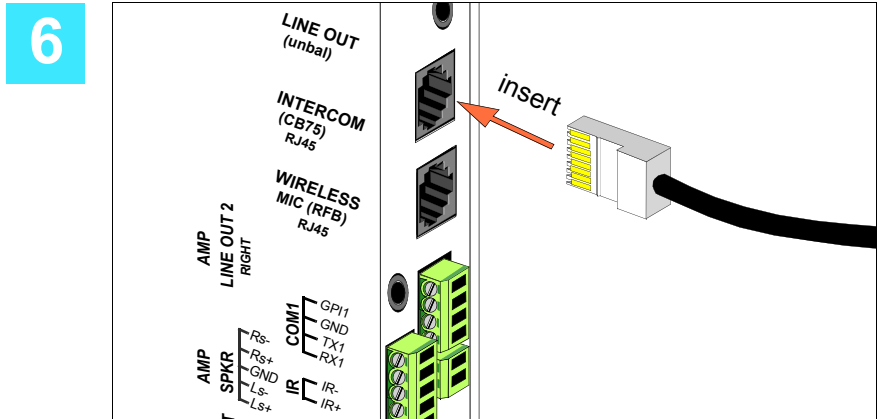


Terminate the 4-pin Phoenix connector to the 4-pin COM 1 socket as depicted above.

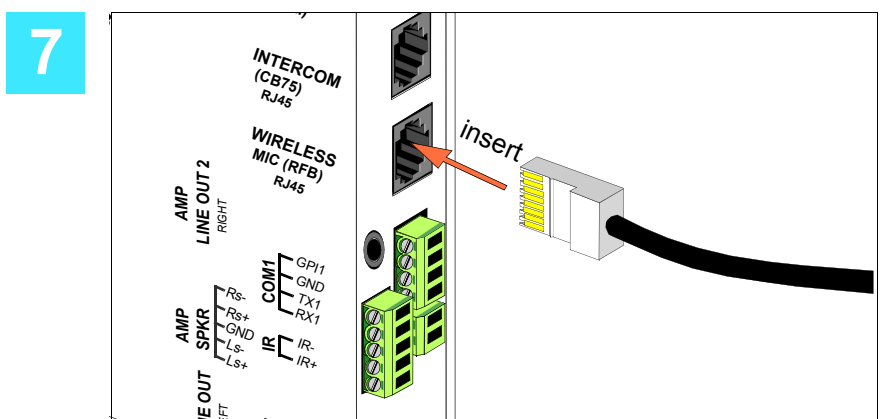


Terminate left and right speaker wires to the positions on the 5-pin Phoenix connector as illustrated above.

## Optional Connections

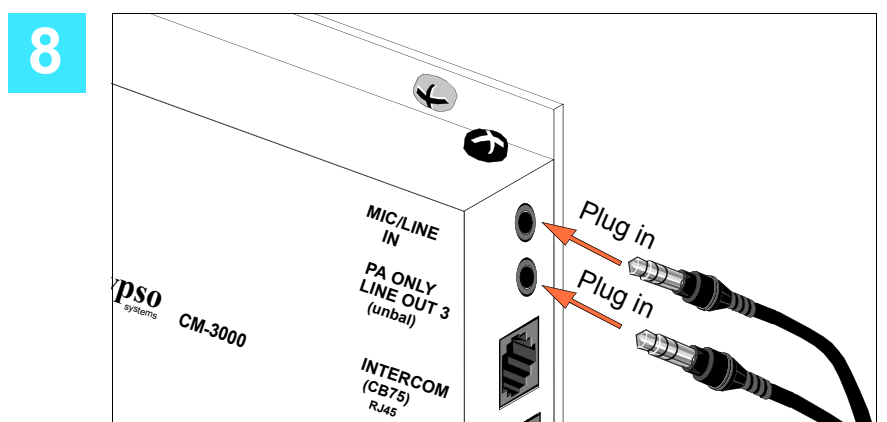


Connect the CAT-5 cable from the CB-75 or CB-85 (optional) into the INTERCOM PORT as depicted above.

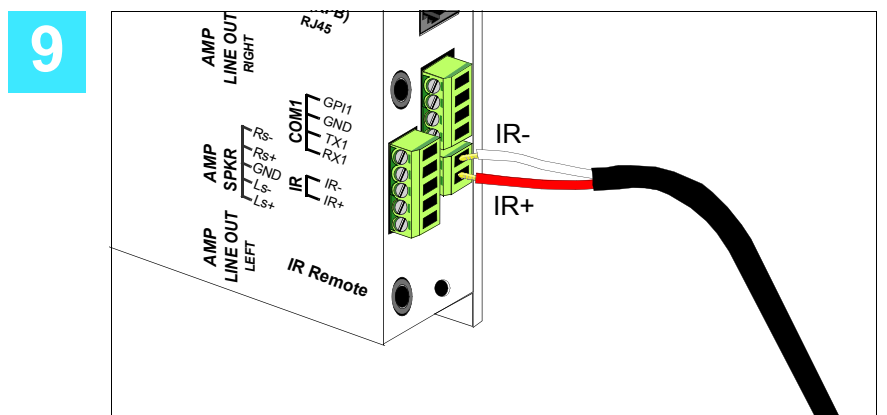


Connect the CAT-5 cable from RFB-WCM into the WIRELESS MIC port (optional) as shown above.

**NOTE:** In addition, the CM-3000 will accommodate different types of external devices. Refer to the CM-3000 User Guide for further information. Highlighted below are two examples.

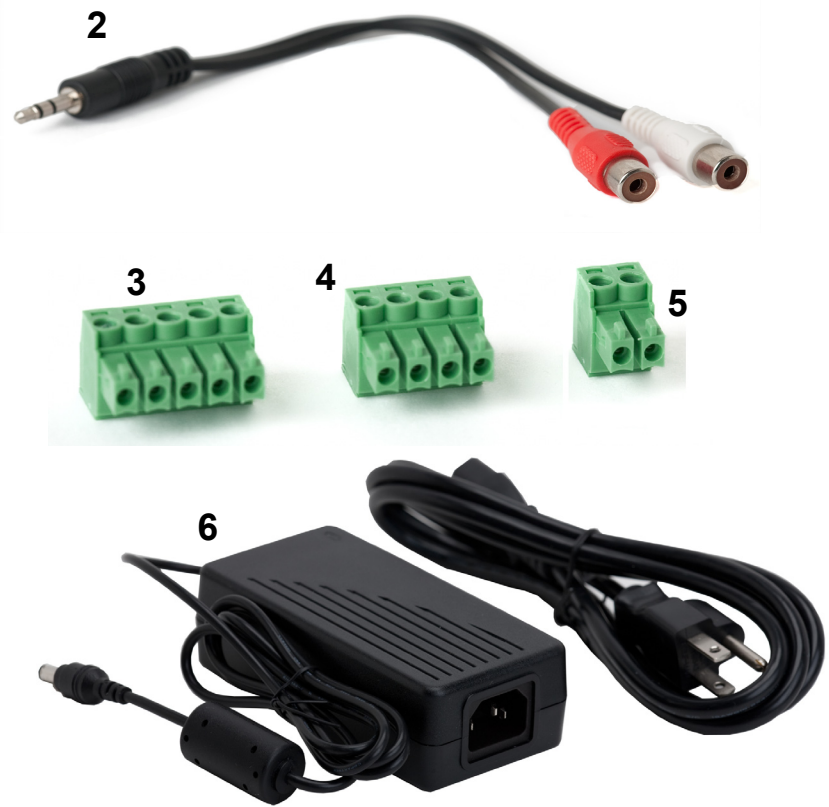
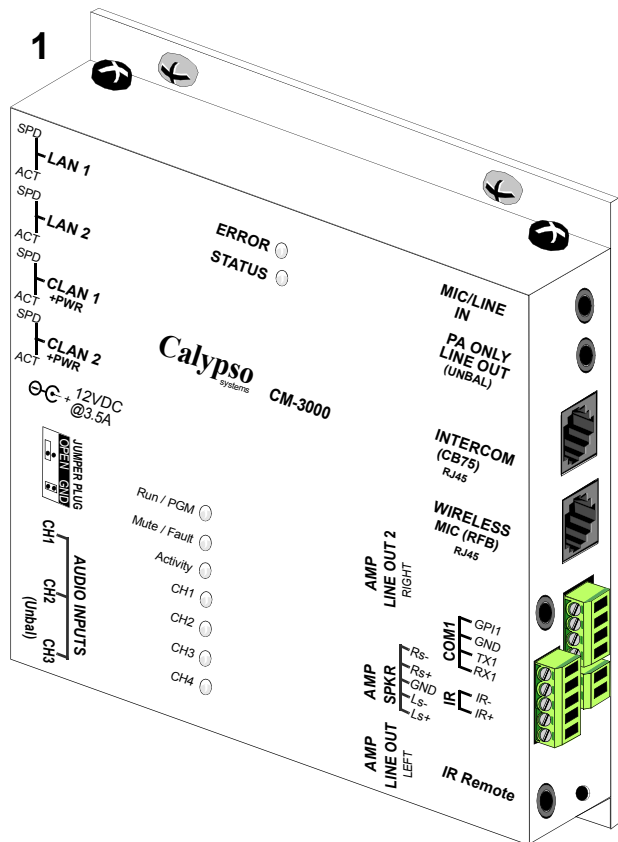


As an option, the CM-3000 provides a MIC/LINE IN or LINE IN port and a PA ONLY LINE OUT 3 port as shown above. A mini-audio jack is used for these ports. For further information, please refer to the CM-3000 User Guide.



For IR control devices, terminate the 2-pin Phoenix connector to the 2-pin IR socket as shown above.

## What's in the Box



The list of components in the box contains the following items from top left to right: (1) 1 CM-3000, (2) 2 6 in. stereo-audio splitter cables, (3) 1 5-pin Phoenix connectors, (4) 1 4-pin Phoenix connector, (5) 1 2-pin Phoenix connector, and (6) 1 3.5A power supply.

## IMPORTANT

This device has a static IP address **192.168.1.103**. Address must be changed prior to field development.

- Assure power is supplied to the unit.
- Connect the device directly to your computer with an ethernet crossover cable.
- Configure the computer so that the connected network port uses a static address like "192.168.1.99" (or any number between 192.168.1.1 and 192.168.1.254 except 192.168.1.103. This is the Calypso device default IP address.)
- Open a web browser and type the URL "192.168.1.103". Press enter on your keyboard. The device's main web page should appear.
- Click on the "Ethernet" link in the side-bar menu.
- Under the "Device network configuration" field, change the "IP Address" value to the one desired for this specific device (work with the school's IP administrator for available IPs.)
- As required, change the "IP Subnet Mask", "Router IP Address", and "Primary Name server IP address". Again, work with the school's IP administrator for obtaining this specific information.
- Click on the "Save Settings" button for the field(s) modified. (Note: If you desire to make confirmation of the new settings, return to step 2 and type in the new network information.)
- Disconnect the device from the computer.

**NOTE:** It is the responsibility of the service technician to understand ethernet protocol for setting up Calypso products and to correctly prepare cables of proper-size and length for the terminal block connectors provided.

## ezRoom 5300 Wiring Diagram (Example)

